

# Data Sheet

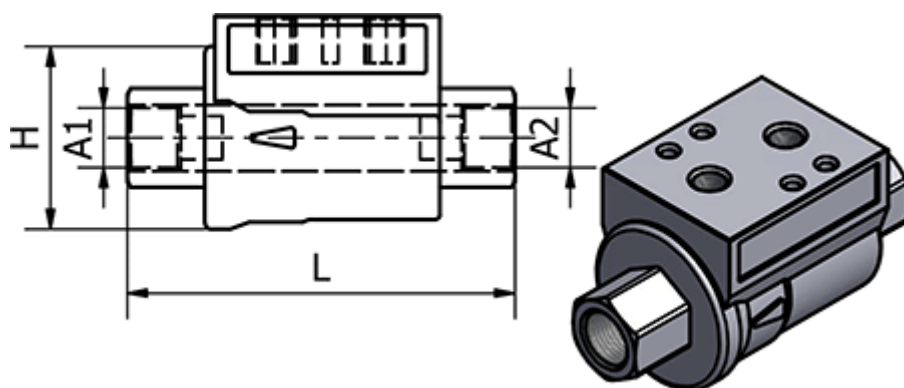


Article number: 586351953

Description: Valve 351.953, G 3/4" - G 3/4"  
Thread/Thread

## Measures

---



Connecting A1	= G 3/4"
Connecting A2	= G 3/4"
H	= 63.5
L	= 135
Max. Operating Pressure	= 10 bar
Seals	= FKM